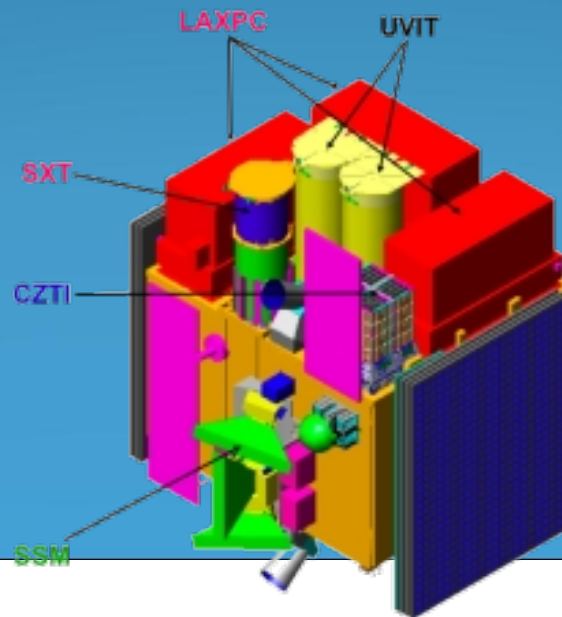
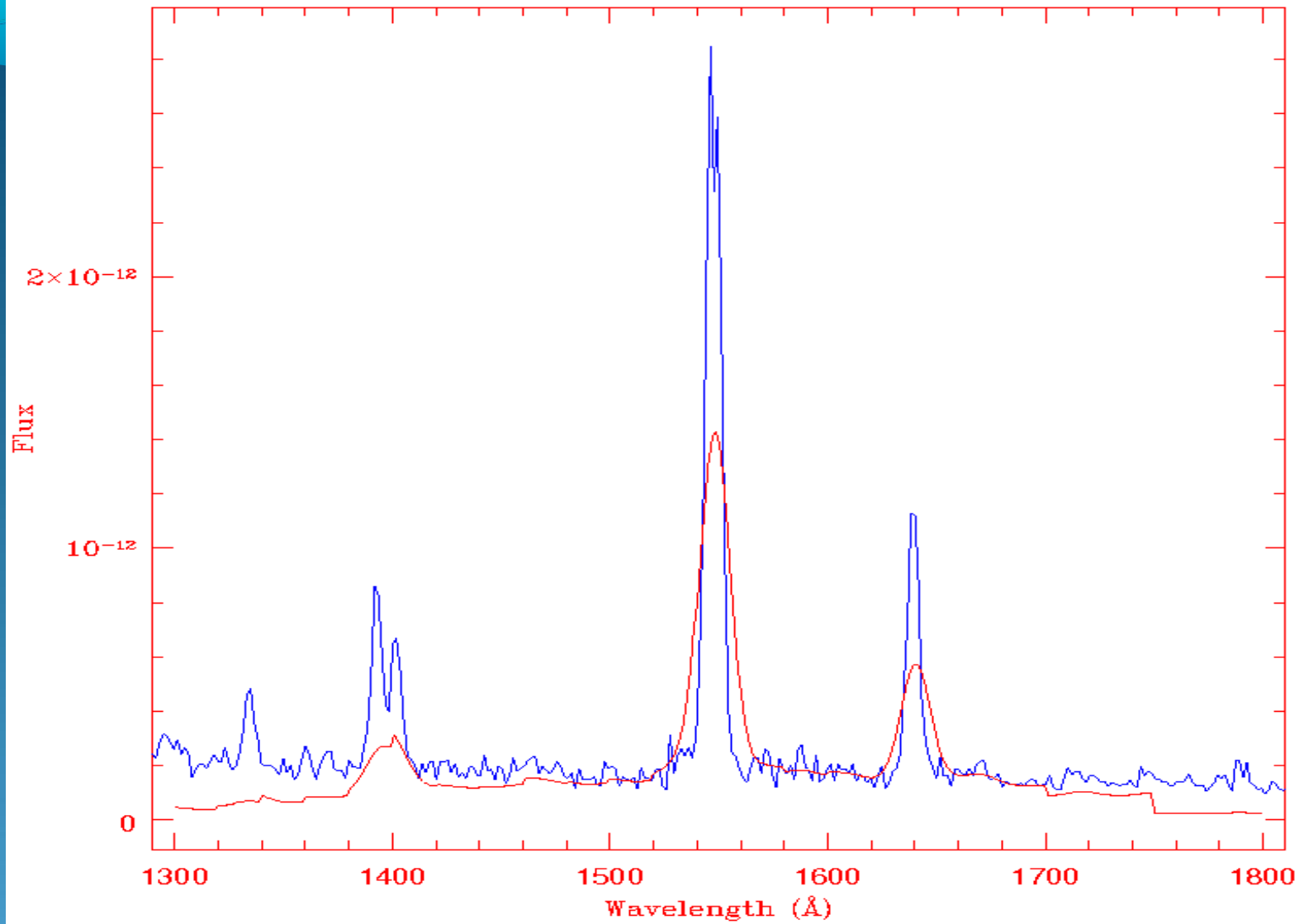


# *CVs*

- *Annapurni Subramaniam (UVIT group)*
  - *IIA*

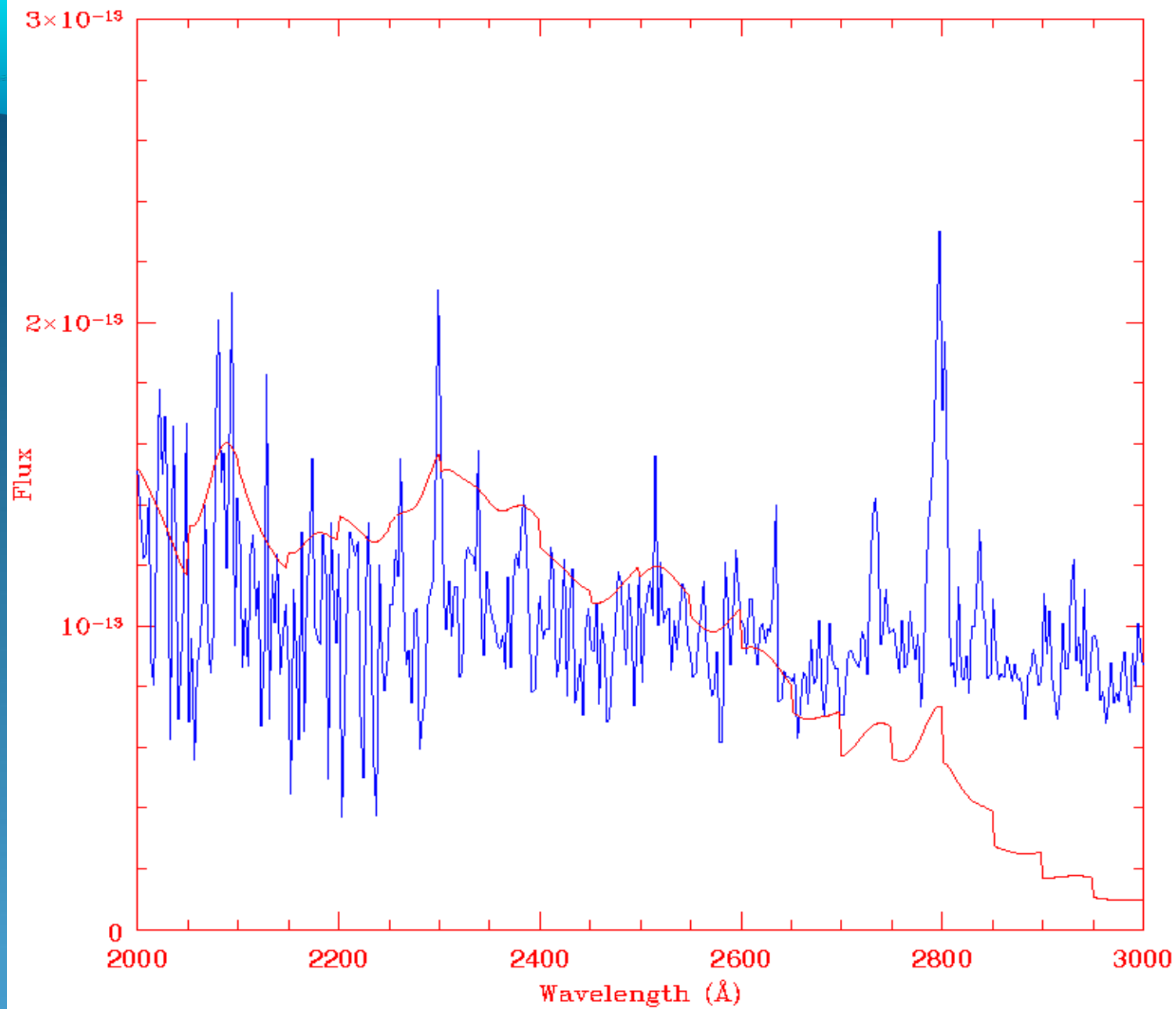


AM Her



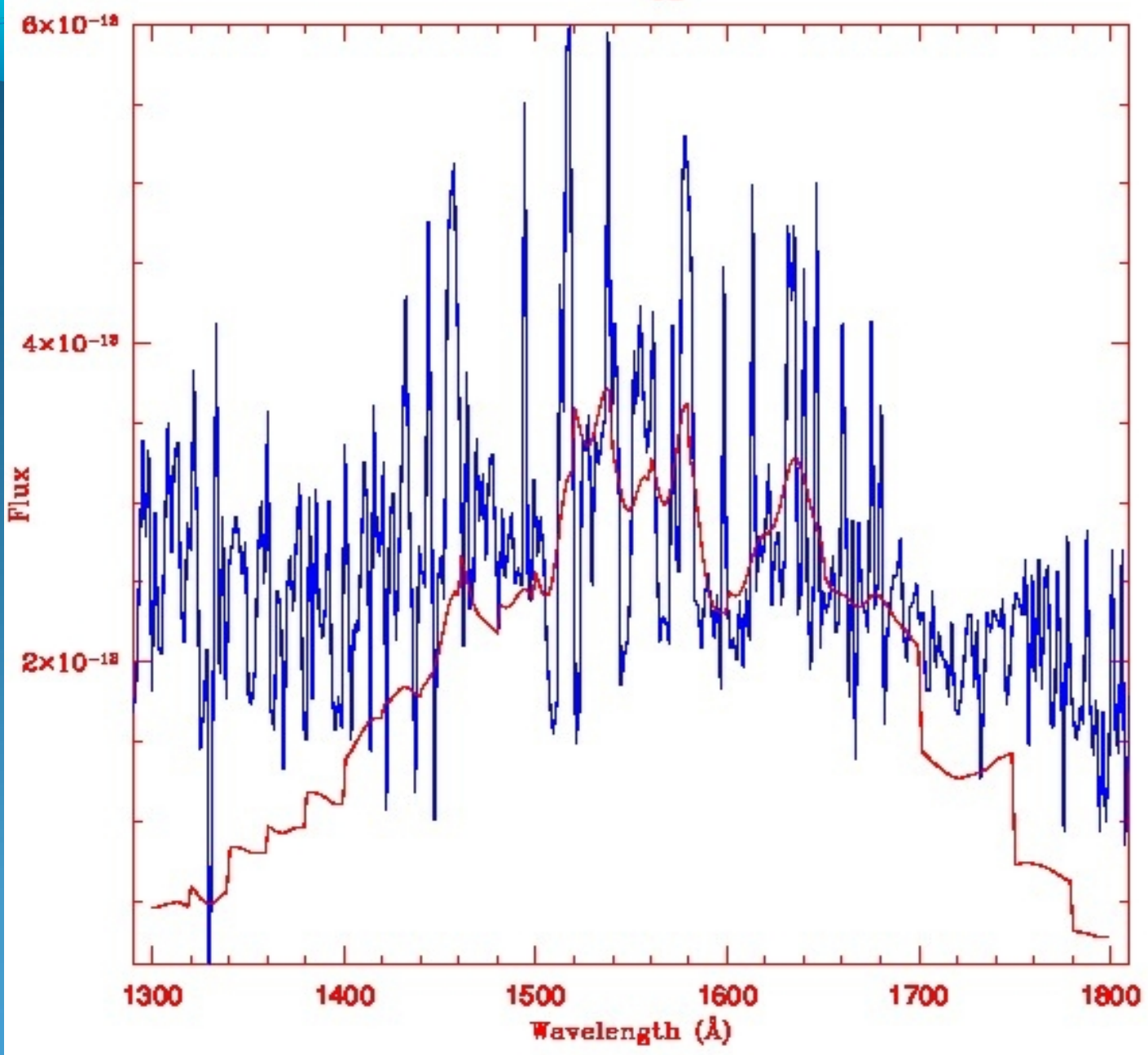
FUV spectrum of Am Her: IUE and UVIT (expected)

# AM Her



NUV spectrum of Am Her: IUE and UVIT (expected)

SSCyg



SS Cyg

